

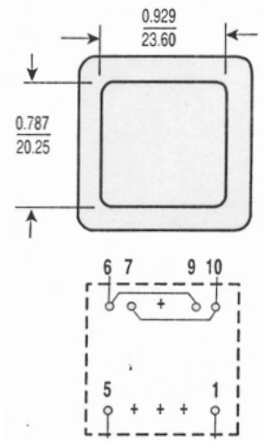
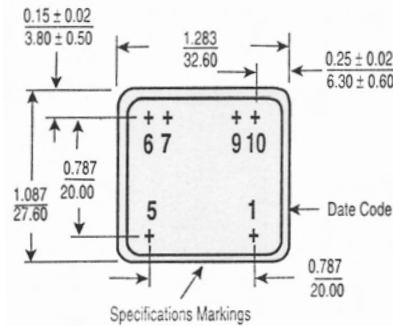
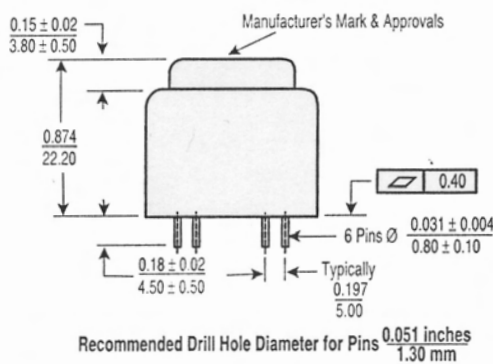
44000 Series EI 30-10.5 (1 VA) Sealed Power Transformer

FEATURES

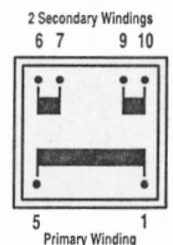
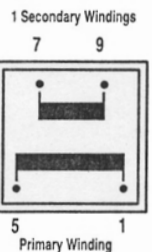
- UL and VDE Approvals
- Vacuum Filled
- Split Bobbin Design
- Self-Extinguishing Plastics UL94V-0
- Dielectric Strength 4200Vrms
- Inherently energy limited
- Resin Class B IEC 85 (20,000 h Testing to IEC 216)
- Conforms to EN 60742
- 100% Production Tested
- Weight: 70 grams



OUTLINE DIMENSIONS



Recommended layout for transformers with 1 secondary winding (allows the use of a transformer with 2 secondary windings)



ELECTRICAL SPECIFICATIONS

ORDER NUMBER 115 VAC	ORDER NUMBER 230 VAC	SEC. VOLTAGE V	SEC. CURRENT mA	NO LOAD VOLTAGE V	AMBIENT TEMP. °C
44061	44049	6	167	8.6	70
44062	44050	9	111	12.9	70
44063	44051	12	83	17.2	70
44064	44052	15	67	21.6	70
44065	44053	18	56	25.9	70
44066	44054	24	42	37.9	70
44067	44055	2 x 6	2 x 83	2 x 8.6	70
44068	44056	2 x 9	2 x 56	2 x 12.9	70
44069	44057	2 x 12	2 x 42	2 x 19	70
44070	44058	2 x 15	2 x 33	2 x 23.6	70
44071	44059	2 x 18	2 x 28	2 x 24.9	70
44072	44060*	2 x 24	2 x 21	2 x 37.9	70

NOTE: Circuit isolation protection is provided per EN 60742

* Limited Approval Ratings



ZETTLER Magnetics, Inc.

The Power to Transform